

CALLIERT

JEEP WRANGLER JK ROOF RACK

Begin by unpacking all items and inspecting them for damage or missing items.
Any concerns, please contact: tech@calliert4x4.com

Before installation-Read and understand all instructions, warnings, cautions, and notes contained in this installation instruction guide. Consult your vehicle owner's manual for proper disconnection of electrical and lifting of vehicle if required for installation of this product.

This install may require some technical skills and knowledge of basic mechanical work. If you do not feel that you are capable of performing this install please take this product to a trained professional.

After reading this guide please contact us with any questions or concerns before installing product.
Customer Service: **(206)228-2584**

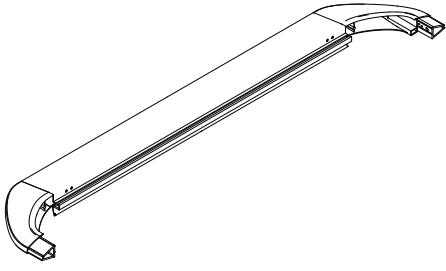
CALLIERT Is not responsible for any bodily injury or harm to you or your vehicle as a result of an improper install.

Proper installation of this kit requires knowledge of the factory recommended procedures for removal and installation of original equipment components. We recommend that the factory shop manual and any special tools needed to service your vehicle be on hand during the installation. Installation of this kit without proper knowledge of the factory recommended procedures may affect the performance of these components and the safety of the vehicle.

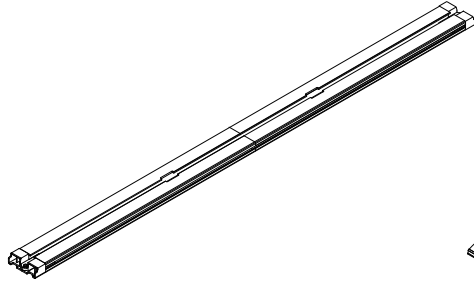
• **Always wear eye protection when operating power tools.** •

Inspect all contents of this package to make sure product is not damaged and all installation hardware has been included. If parts are missing from kit, please be prepared to provide the following information:

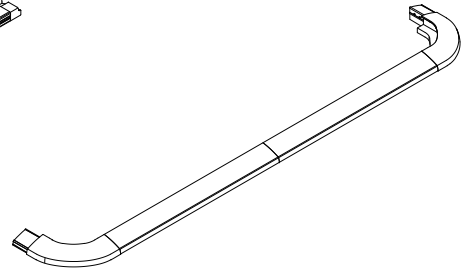
- Name of purchase location
- Date above Bar Code
- Bar Code on side of box
- Date inside box cover



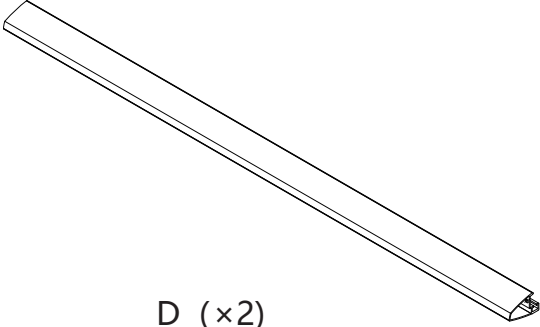
A (×1)



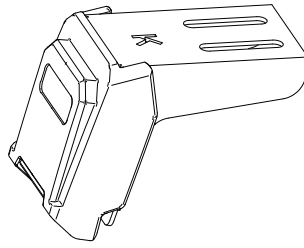
B (×5)



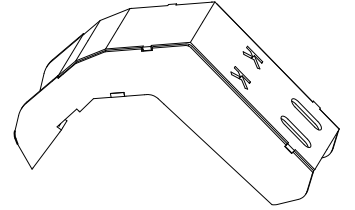
C (×1)



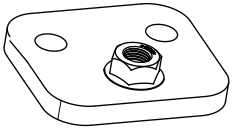
D (×2)



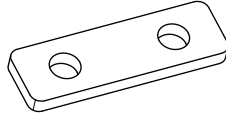
E (×2)



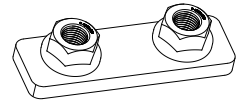
F (×2)



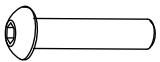
G (×2)



H (×6)

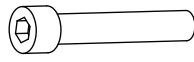


I (×4)



M8×35

J (×4)



M8×40

K (×8)

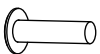


M8

L (×10)

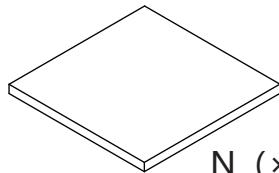


M (×6)

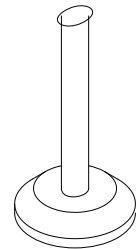


M6×20

P (×10)



N (×2)



O (×2)



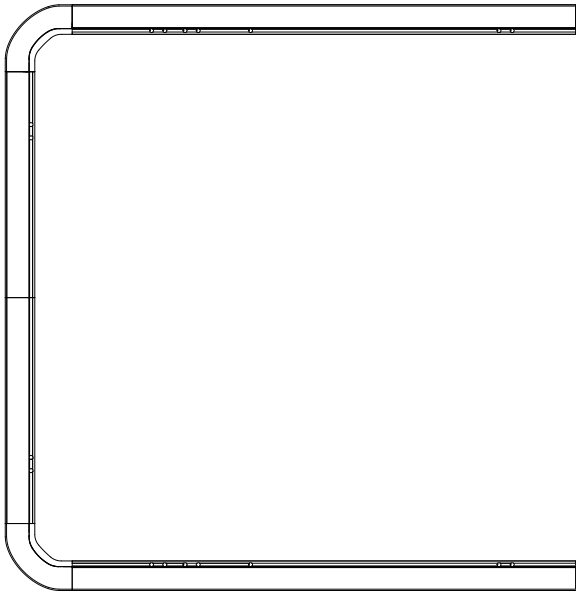
S (×1)



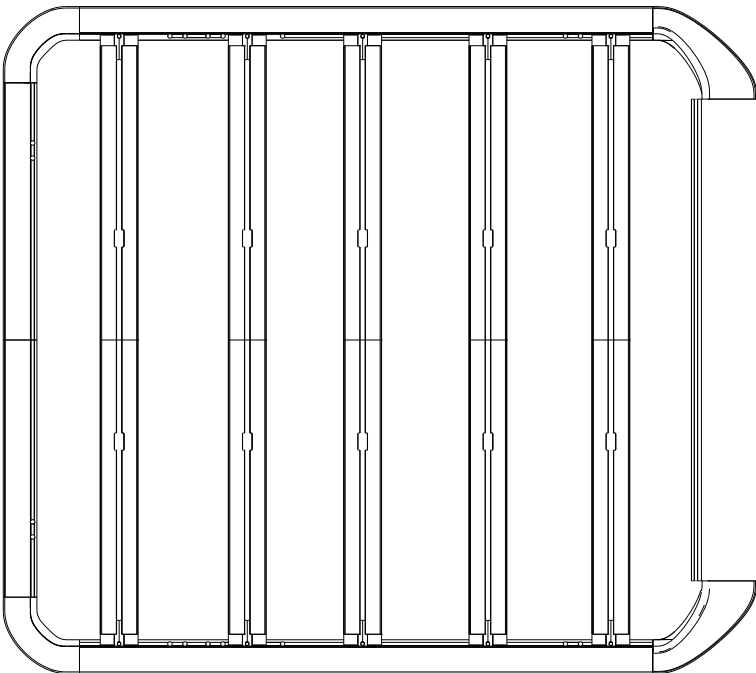
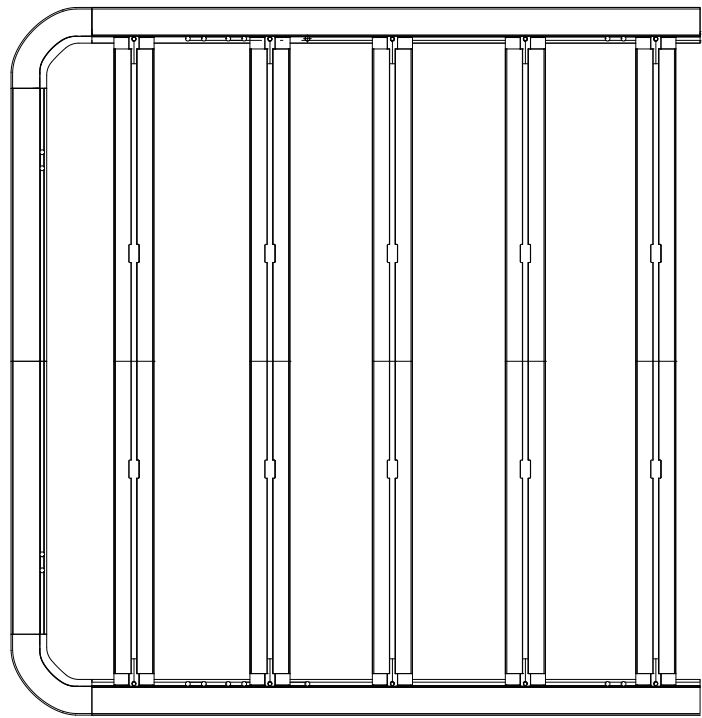
R (×10)

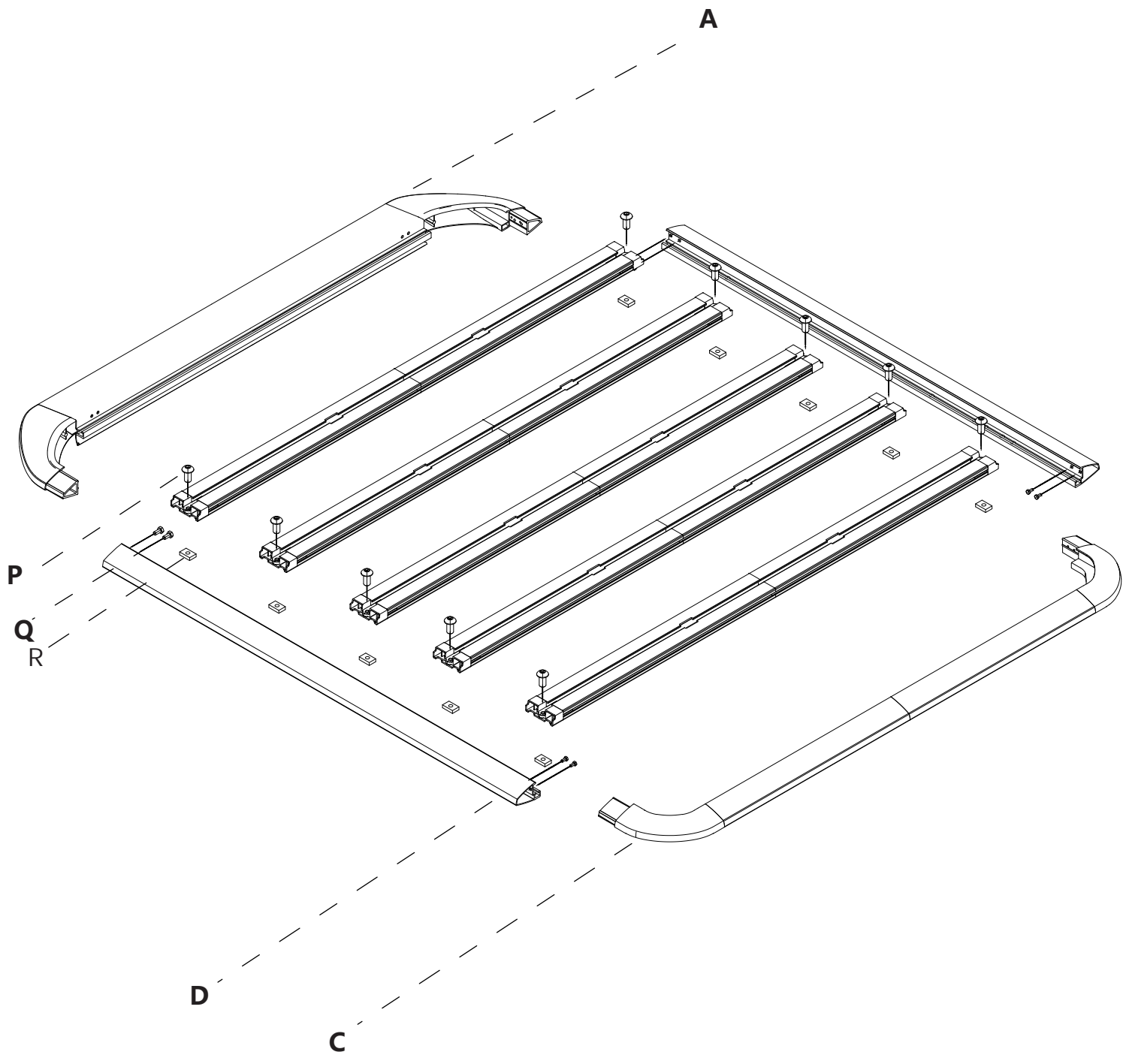


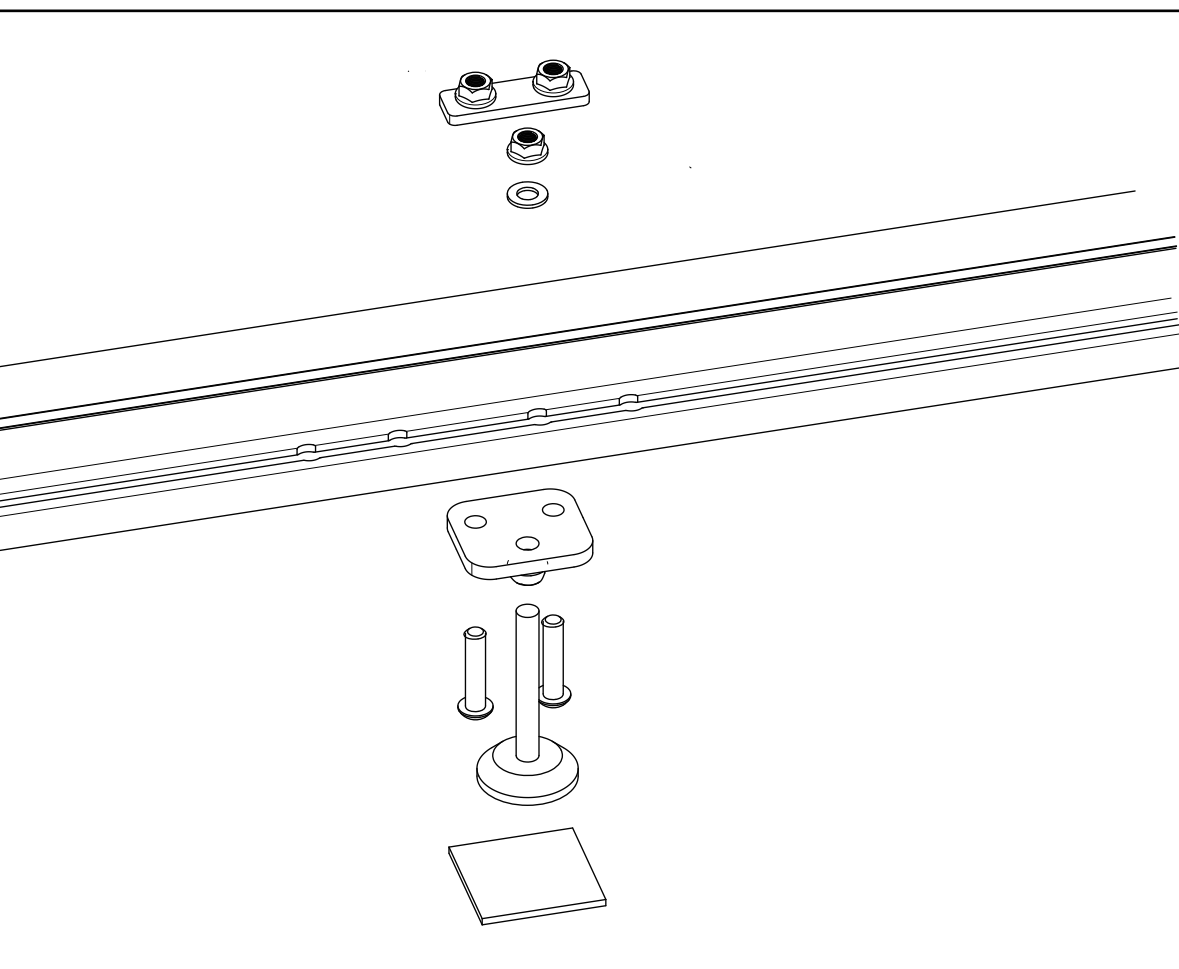
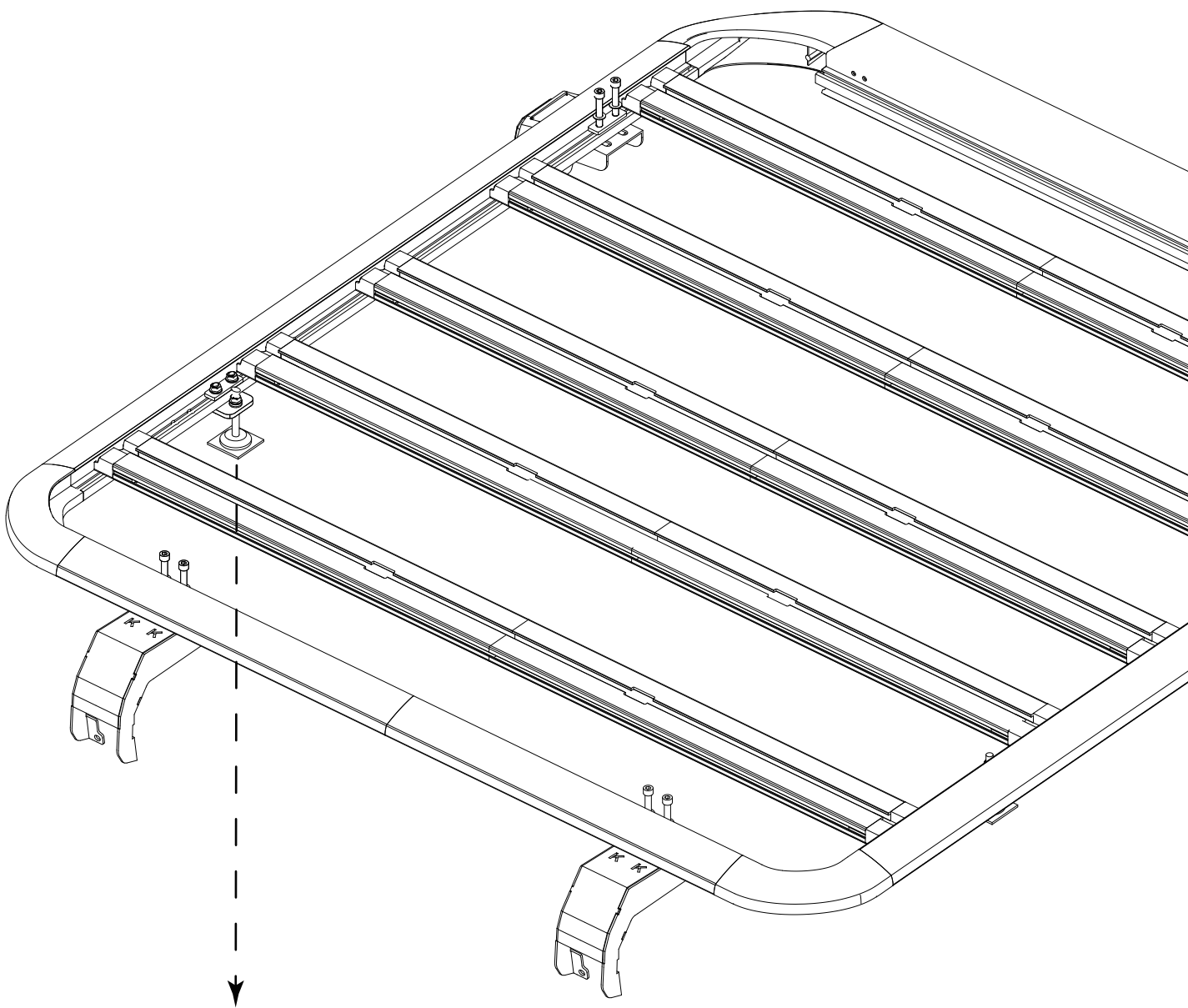
T (×1)

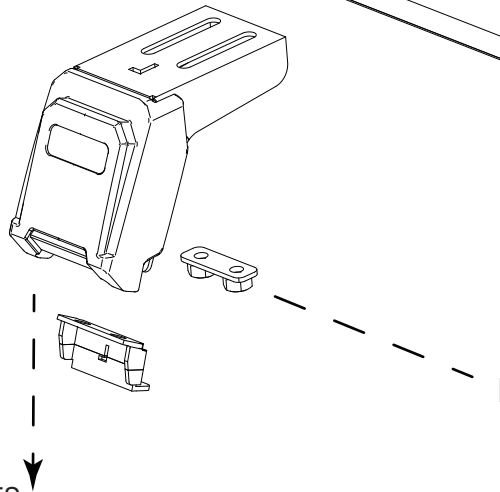
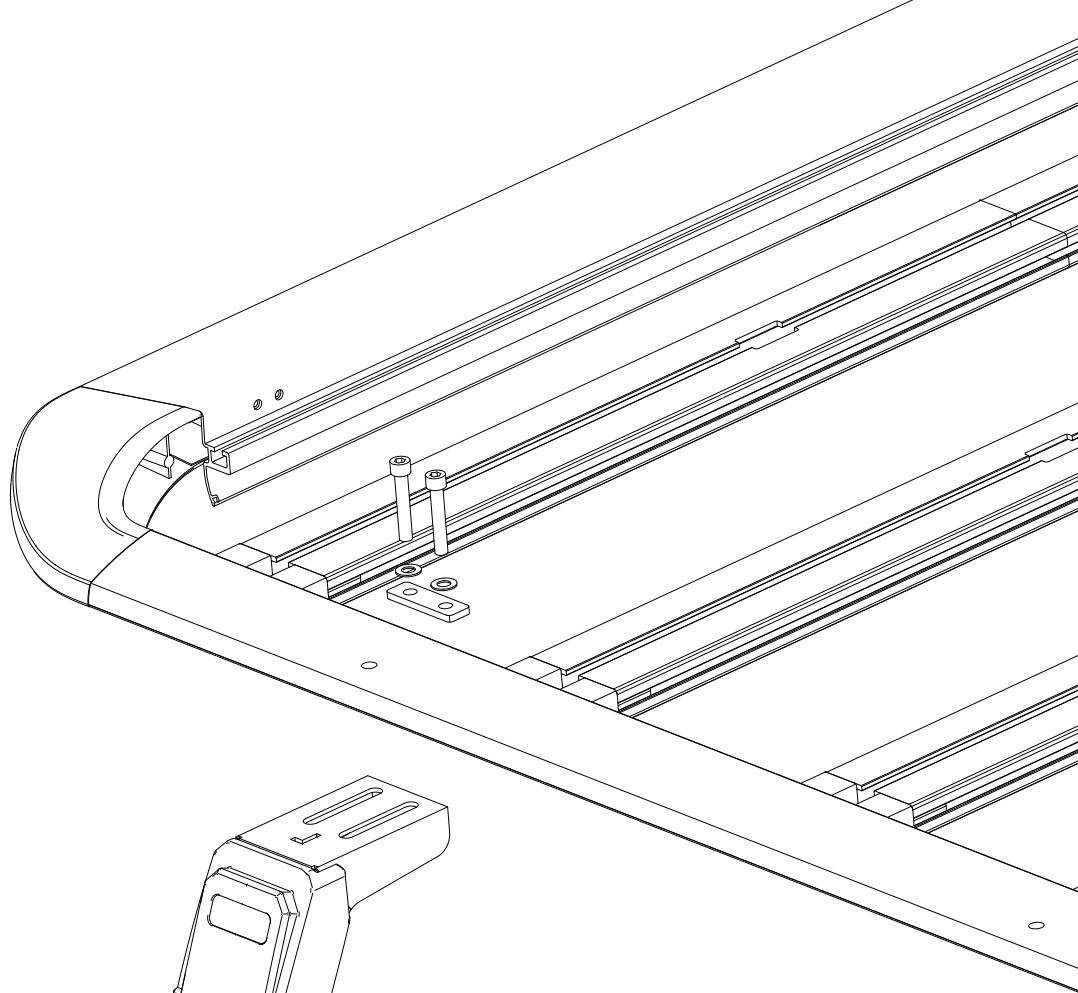


Slide the squared nuts into the mounting rail.
Mount the support bars onto the frames.

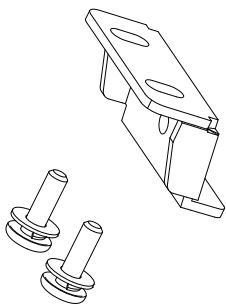
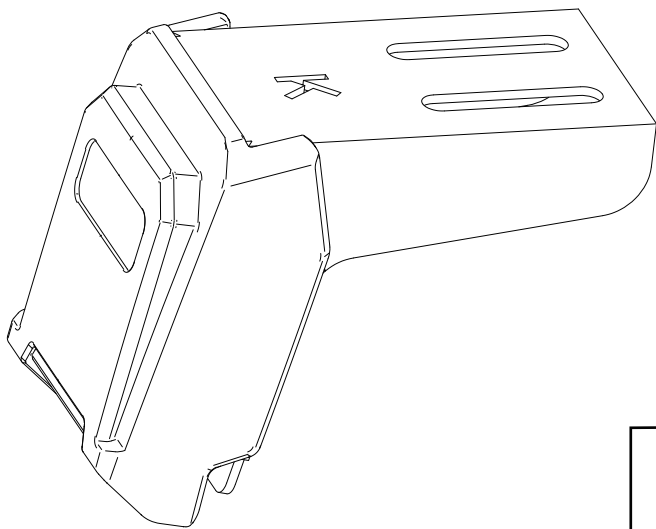








Remove the bolts from mounting brackets.



Position the rack on the roof of the car.
Mount the brackets to the rain gutter.

