
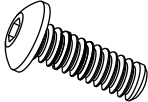
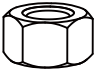
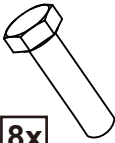


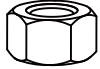


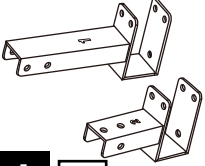


# Calliert

## Jeep Wrangler Running Board - 2 Door

 <b>A</b> <b>LH</b>	10*25 Allen head bolt M10 Gasket  <b>C</b> <b>12x</b>	M10 Flange screw  <b>D</b> <b>16x</b>	12*100 Hexagon Screw M12 Gasket  <b>E</b> <b>8x</b>	12*25 Hexagon Screw M12 Gasket  <b>F</b> <b>4x</b>
 <b>B</b> <b>RH</b>	M12 Flange screw  <b>G</b> <b>8x</b>	M10 Flat Washer  <b>H</b> <b>16x</b>	M12 Flat Washer  <b>I</b> <b>8x</b>	Bracket  <b>J</b> <b>2x</b>

